

Commercial generator set Hydraulic Series HG 15000



Cummins Onan

Performance you rely on.™



Features and Benefits

- Cummins Onan custom engineered hydraulic generator set system
- High motor starting capability
- Meets NFPA 120° F (49° C) ambient* standard
- Single side serviceability
- Powder coated steel housing/multiple air inlets (4)
- Four-point vibration isolated mounting system
- Digitally controlled pump flow for minimal voltage and frequency variation
- Hydraulic circuit has over speed and under speed protection
- Five year, 1000 hour limited warranty

Weight, size and sound level

Weight: Total - 293 lb (132.9 kg)

- Generator set 225 lb (81 kg)
- Pump/manifold 55 lb (25 kg)
- Reservoir 13 lb (6 kg)

Size: Length 39.2 in (995 mm), width 16.0 in (405 mm), height 13.8 in (350 mm)

Sound: 60 Hz, 70 dB(A) at 10 ft (3 m), before installation, full load (estimated)

Models and ratings

Model	Pump rotation	Shaft	Hz	Watts	Voltage	Amps	PF	Phase	Circuit breaker
15RBAB-5964	CW	15 tooth	60	15000	120/240	125/63	1.0	1	OEM/distributor supplied
15RBAB-5965	CW	Keyed 1 in	60	15000	120/240	125/63	1.0	1	OEM/distributor supplied
15RBAB-5966	CCW	15 tooth	60	15000	120/240	125/63	1.0	1	OEM/distributor supplied
15RBAB-5967	CCW	Keyed 1 in	60	15000	120/240	125/63	1.0	1	OEM/distributor supplied

- All 60 Hz models operate at 3600 r/min.
- Required pump speed 1000-3200 r/min.

* Cummins Onan tested for operation with cooling air inlet temperature up to 120° F (49° C). Ambient is defined as the air temperature measured at the cooling air inlet to the set.

Standard features

- Hydraulic components:
 - Variable displacement piston pump
 - Gear motor drive
 - Digital control maintains tight frequency control
 - Electronically controlled orifice stops fluid flow when system is off
 - Largest heat exchanger in the industry
- Generator set housing:
 - Powder and clear coated steel
 - Single side serviceability
 - Multiple air inlet locations (4)
 - Single side interface for all hook-ups
 - Installs without removing housing
 - Four-point vibration isolated mounting system
- Generator set output:
 - 120/240 single phase, 4-lead
 - 10 ft power leads in non-metallic conduit
 - Digital PWM control maintains stable frequency
 - Circuit breakers (OEM/distributor supplied)
 - Capped voltage regulator
 - Factory load tested
- Controls and displays:
 - Cummins Onan display by FRC with 15 ft harness; displays Hz, volt, amps, oil temperature and hours
 - Continuous on/off switch for generator set (customer supplied)
 - Solid state voltage regulation
- Reservoir:
 - 3 Gal hydraulic tank with integral filter
 - Filter with element condition indicator gauge, breather and fill port
 - Mounting tabs for universal mounting
- Accessories:
 - Side discharge duct kit (P/N 541-0911)
 - Extension harnesses (see Operation and Installation manual)

Alternator details

Design: Cummins Onan AC, 2-pole self-excited revolving field, permanently aligned to hydraulic motor by a splined shaft

Cooling: Direct drive blower wheel

Rotor: Laminated electrical steel assembly press-fitted to shaft, balanced; heavy insulated, Class 200 copper wire windings, optimized air gap for improved wave form and motor starting

Stator: Laminated electrical steel assembly, skewed for improved waveform; heavy insulated, Class 200 copper wire windings

DC brushes: Electrographic; long life

Bearing: Double-sealed pre-lubricated ball bearing

Exciter: Power Scan® regulator and bridge rectifier supply field current through slip rings

Hydraulic details

Cooling:

- High efficiency forward-inclined blade, plug fan
- Pressurized box with distribution volutes for optimum air velocity across heat exchanger
- Welded blades, 4 brace rods and epoxy powder coated for best fan durability
- Heat exchanger sized relative to kW

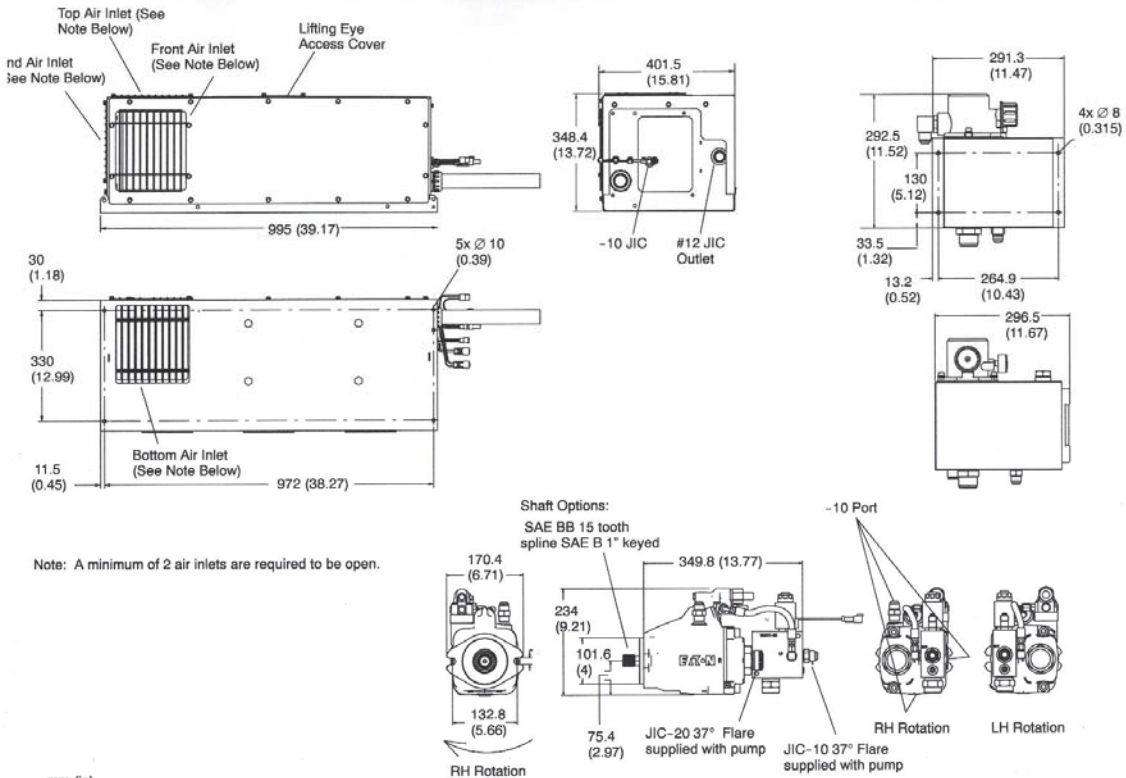
Hydraulic power:

- Operating flow and pressure range 17 Gal/min, 350-3000 psi
- Pump control is pressure compensated load sense system
- Solenoid PWM controls flow and closes fully when generator set is switched off
- Required pump speed 1000-3200 r/min maximum
- Generator set requires 40.0 hp from drive engine at full load
- Generator set drive motor - fixed displacement gear
- Fluid Dexron III or 10 wt antiwear hydraulic oil ~5 Gal total

Generator set performance

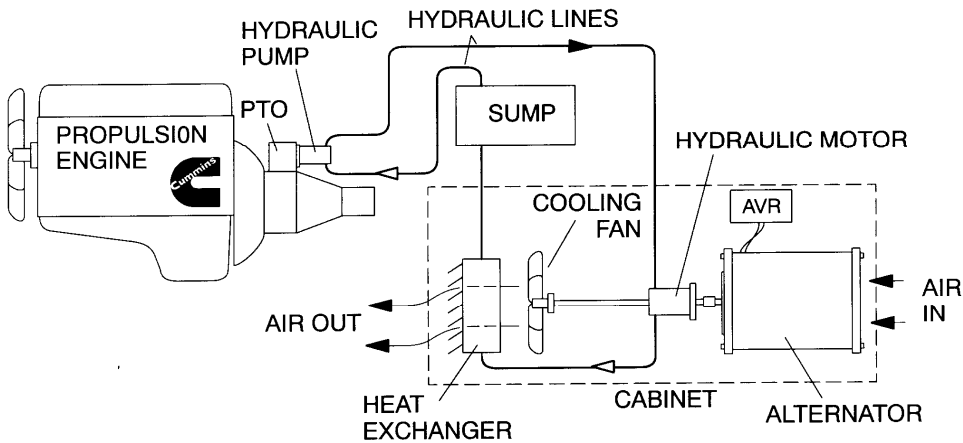
	<u>No load - full load</u>	<u>Constant load</u>
Voltage Regulation (steady state conditions)	± 0.5%	± 0.5%
Frequency Regulation (steady state conditions)	60.5 to 59.5 Hz (± 0.75%)	± 1.6% or ± 0.5 Hz

Basic dimensions



Note: This outline drawing is provided for general reference only and is not intended for design or installation. For more information see Operation and Installation manuals or obtain drawing 500-4285 and wiring diagram 625-4772 from your distributor/dealer.

Hydraulic operational schematic



Standards and testing

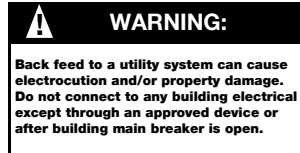
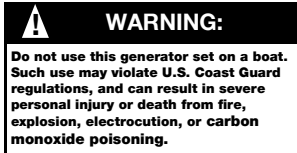
- Tested at extremes of temperature -20° F (-29° C) to 120° F (49° C) for starting and operation
- Tested installed
- Tested with commercial loads
- Field test program
- This generator set was designed and manufactured in facilities certified to ISO 9001
- CSA Certified for CSA C22.2 std 100 and std 14 for operation up to 40° C only



Warranty policy

The Cummins Onan limited warranty covers virtually everything except routine maintenance for the first five years that you own your generator set, or the first 1,000 hours of operation, whichever comes first. In addition, it includes a free 90-day adjustment policy, which provides that Cummins Inc. will make minor adjustments to your new generator set during the first three months you own it - free of charge!

Travel time repair allowance: In addition to the 5-year, 1000-hour warranty, a travel time repair allowance of 2.5 hours and mileage cost up to 100 miles included for the first 2 years.



After sale support

Largest distributor/dealer support network

Cummins Onan generator sets are supported by the largest and best trained worldwide certified distributor/dealer network in the industry. This network of knowledgeable Cummins Onan distributor/dealers will help you select and install the right generator set and accessories to meet the requirements of your specific application. This same network offers a complete selection of commonly used generator set maintenance parts, accessories and products plus manuals and specification sheets. Plus, they can answer your questions regarding proper operation, maintenance schedules and more.

Manuals: Operation and installation manuals ship with the generator set. To obtain additional copies or other manuals for this model, see your Cummins Onan distributor/dealer and request the following manual numbers: Operation (943-0103), Installation (943-0103), Parts (943-0204), Service (943-0503).

To easily locate the nearest Cummins Onan distributor/dealer in your area, or for more information, contact us at 1-800-888-6626 (or 763-574-5000), or visit www.cumminsonan.com.

Contact your distributor/dealer for more information

Cummins Onan

Cummins Power Generation

1400 73rd Ave. NE
Minneapolis, MN 55432 USA
Phone 1 763 574 5000
Toll-free 1 800 888 6626
Fax 1 763 574 5298
Email www.cumminsonan.com/contact
www.cumminsonan.com

Cummins®, Onan®, the "C" logo, Performance you rely on.™ Power scan® are servicemarks, trademarks and/or registered trademarks of and Cummins Inc. Specifications subject to change without notice

©2007 Cummins Power Generation. All Rights Reserved.

A-1498a (4/07)

